

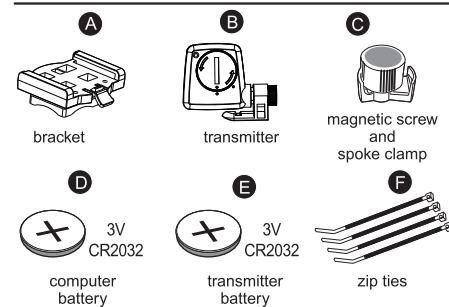
Size: 378 x 99mm (成品尺寸: 63 x 99mm)
 單色雙面印 95克雙粉紙
 Date: 2012-NOV-16

18 FUNCTIONS

ATTENTION: Computer Functions refer to the packing details.

- Speedometer (SPD) - 0-99.9 KM/hr or M/hr
- Average Speed (AVS) - 0-99.9 KM/hr or M/hr
- Maximum Speed (MXS) - 0-99.9 KM/hr or M/hr
- Speed Tendency \rightarrow or \leftarrow
- Speed Comparator - (+ or -)
- KM & M Selectable
- Odometer (ODO) - 0-9999.9 KM or M
- Odometer Save Function
- Tripmeter (DST) - 0-999.9 KM or M
- Trip Timer (TM) - 9:59:59
- Digital Clock - 12 / 24 hour selectable
- Auto Scan
- Auto Power Off
- Auto start / stop
- Calories
- Fat Burned
- Freeze Frame Memory (TM and AVS)
 °C & °F selectable
- Maintenance program
- EL Backlight

ACCESSORIES



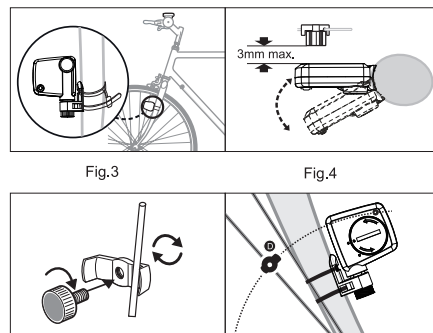
BATTERY INSTALLATION

Computer
 Remove the battery cover from the bottom of the computer using a flat blade screwdriver or coin. Install the battery CR2032 with the positive (+) pole facing the battery cover. Replace the cover as shown (Fig. 1).

Transmitter
 Install the battery CR2032 with the positive (+) pole facing the battery cap. Replace the cap and tighten with a flat blade screwdriver or coin (Fig. 2).

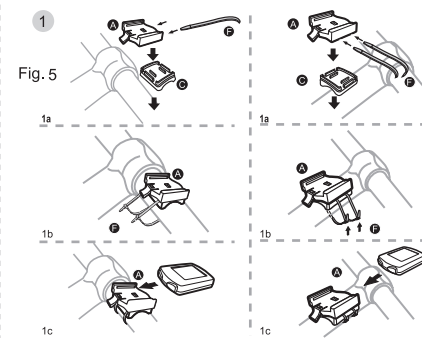
MAGNET & TRANSMITTER INSTALLATION

Remove magnetic screw from spoke clamp. Clamps will accommodate either a flat spoke or round spoke. Place clamp on spoke. Screw magnetic screw into clamp until snug, do not over tighten.(Fig. 3).
 Attach the transmitter to the front fork using two zip ties. Make sure the magnet cycles past the transmitter as the wheel turns. As the magnet passes the transmitter, it should come within 3 mm of the transmitter, but not touch the transmitter (Fig. 4).



MOUNTING BRACKET

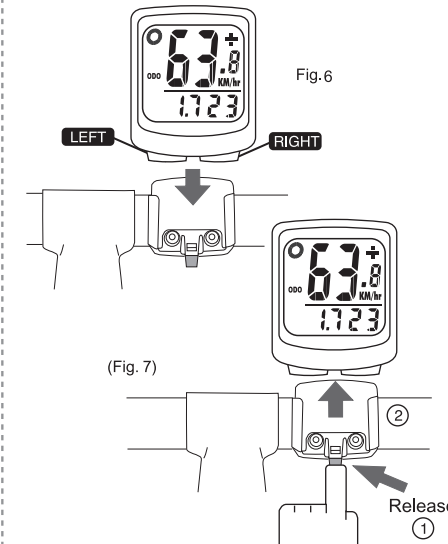
Place mounting bracket in desired area of handlebar (Fig. 5). Wrap Strap around bar and thread through opening of bracket tab. Secure by pulling down end of strap until locked over bracket tab.



COMPUTER

To attach the computer to the mounting bracket: Slide the computer onto the mounting bracket until it snaps firmly into position (Fig. 6).

To remove the computer from the mounting bracket: Wrap your forefinger around the front of the mounting bracket. Press the release button (Fig. 7). Push the computer forward with your thumb (Fig. 7).

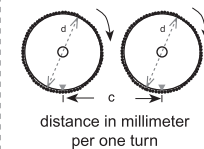


Go to the computer setting mode by:
 a) Insert the battery
 b) Hold two buttons for 3 seconds
 Press Right Button to select or adjust, press Left Button to confirm the setting.

For xRover set wheel size to
 Pro xRover nastavte konstantu
1520

WHEEL SIZE INPUT

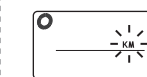
Input the wheel size factor C into the computer by multiply 3.1416 by the wheel diameter in millimeter. For convenience, please refer to the chart below.



Wheel Diameter d	Wheel Factor c
700B	2237
700C X 38MM	2180
700C X 35MM	2168
700C X 32MM	2155
700C X 30MM	2145
700C X 28MM	2136
700C X 25MM	2124
700C X 23MM	2105
700C X 20MM	2074
700C Tubular	2130
650C X 23MM	1990
650C X 20MM	1945
27" X 1-1/4"	2161
27" X 1-1/8"	2155
26" X 2.3"	2135
26" X 2.25"	2115
26" X 2.1"	2095
26" X 2.0"	2074
26" X 1.9"/1.95"	2055
26" X 1.75"	2035
26" X 1.5"	1985
26" X 1.25"	1953
26" X 1.0"	1913
24" X 1.9"/1.95"	1916
20" X 1-1/4"	1618
16" X 2.0"	1253
16" X 1.95"	1257
16" X 1.5"	1206

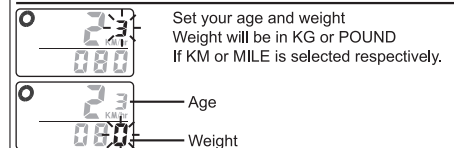
KM / MILE SELECTION

After the wheel size input, the following function is the selection of kilometers or miles as the measurement for distance. Press the RIGHT button to choose between kilometer (KM) and Mile (M), press the LEFT button to confirm.



KM or M selection

AGE / WEIGHT



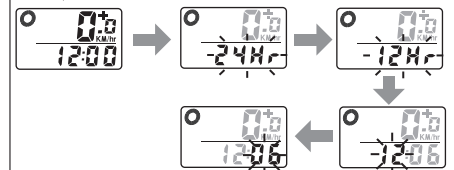
SERVICE PROGRAM

It is to remind you the parts replacement or lubricate the chains after preset distance is reached. Right after KM/ MILE selection, the preset total distance of 600km (or miles) will flash, press the RIGHT button to select between 200, 400, 600 & 800km (or miles) and press LEFT button to confirm. For example, if 600 KM is set, the spanner () will start to flash whenever the total distance is reached 600 / 1200 / 1800 etc. Press the Left button to stop flashing of the spanner ().



CLOCK SETTING

Press Right button to the CLOCK mode. Hold the Left button for 3 seconds to enter clock setting. Press Right button to select or adjust and press Left button to confirm setting of 12/24 hour format, hour and minute.



SELECTING COMPUTER FUNCTIONS

a) Press the Right Button to go to another mode.
 b) Press the Left button to enter the sub-function of this mode.
 c) Holding the Left button will reset or go to the setting mode of the sub-function.

SPEEDOMETER (SPD)

Instantaneous Speed is indicated on the top line. The range of measurement is from 0 to 99 KM/hr [0 to 99 M/hr].

AVERAGE SPEED (AVS)

The average speed will be reset by Trip information reset mode at Trip distance mode.

MAXIMUM SPEED (MXS)

Holding the Left button for 3 seconds to clear the maximum speed.

SPEED TENDENCY (Acceleration & Deceleration)

A cyclist symbol appears to the left of the speed. The wheel turns forward \rightarrow to indicate acceleration. The wheel turns backward \leftarrow to indicate deceleration.

SPEED COMPARATOR

A "+" or "-" sign appears to the right of the speed. "+" indicates you are travelling faster than your average speed (AVS). A "-" indicates you are riding slower than your average speed.

ODOMETER (ODO)

Total distance travelled is indicated by ODO. Holding the Left button for 3 seconds will go to odometer save function.

ODOMETER SAVE FUNCTION

Press Right button to ODO mode and then press and hold Left button for 3 seconds until the last digit flickering. Press Right button to select and press Left button to confirm. Repeat above sequence to reach desired odometer value. Press Left button again to return to normal ODO mode.

TRIP DISTANCE (DST)

Trip information reset: Holding the Left button for 3 seconds will reset the trip distance, trip timer and average speed.

TRIP TIME (TM)

The trip timer will be reset by Trip information reset mode at Trip distance mode.

TEMPERATURE

Degree C or degree F selection: Holding the Left button for 3 seconds will enter the degree C/F selection. Press the Right button to select and press the Left button to confirm.

CALORIES

Holding the Left button for 3 seconds will reset the Calorie data.

FAT BURNED

Holding the Left button for 3 seconds will reset the fat burnt in grams.

SCAN

Press the Right button to SCAN mode. The trip distance, maximum speed, average speed and trip timer will be automatically displayed every 4 seconds.

Freeze Frame Memory

Press the left button. Freeze Frame Memory can lock the display at the end of a ride segment. TM, DST, and AVS, which will be flashing, can be read at a later time by pressing the right key. To reset the memory, press the left button; the display will stop flashing. This is particularly useful when crossing the finish line of a time trial. Note: Computer must be in either DST, MXS, AVS, or TM mode for this function to work.

COMPUTER RESET

The computer will reset by either of the following cases.
 a) Battery Change
 Holding both Left and Right button for 3 seconds will reset the computer.
 b) Whenever you enter the computer setting mode without completion, the computer will automatically turn off after 5 minutes. Press any button will wake up the computer and will go to setting mode again.

START THE COMPUTER

Press any button to wake up the computer with display on before cycling.

Auto Power off

In order to save battery, the unit will go to sleep if no input received for 5 minutes.

Manual Wake-UP

The user can wake up the computer by pressing any button.

Auto Wake-UP

The user can wake up the computer by simply riding the bike without pressing any button within 2 hours after sleep - the unit will wake up within 10 second. More than 2 hours after sleep - the unit will wake up within 1 minute.

EL BACKLIGHT

The EL backlight can be turned on either as follows:
 a) Holding the Right button for 2 seconds, the EL light will be turned on for 8 seconds and the computer will then go to fast scan mode with trip distance, maximum speed, average speed and trip timer displayed once.
 b) Press once on the Left button, the EL light will be turned on for 4 seconds and the computer will go to the freeze frame memory mode as well.

MALFUNCTION PROBLEM

MALFUNCTION	PROBLEM
Inaccurate maximum speed reading	Unknown atmospheric or RF interference
No speedometer reading	Improper magnet/transmitter alignment Check battery and correct installation
Black display	Temperature too hot, or display exposed to direct sunlight too long
No trip distance reading alignment	Check correct sensor / magnet alignment Check battery and correct installation
Display shows irregular figures	Take out computer battery and install again

WIRELESS CYCLE COMPUTER INSTRUCTION MANUAL

BC18-L

INSTRUCTION MANUAL